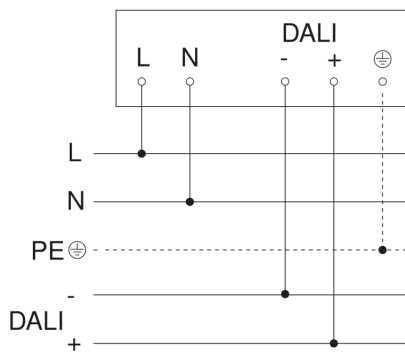


# IS 3360

DALI-2 APC - surface, sq.  
EAN 4007841 010560  
Article number 010560



Master circuit diagram



Circuit diagram for interconnecting DALI-2 APC with DALI-2 IPD

